



PcP. GRATINGS LTD.



# Guardrail



Member of PF Group

PcP. Gratings Ltd. · Enterprise Drive · Four Ashes · Wolverhampton WV10 7DF  
Phone: 01902 791792 · Fax: 01902 791795  
sales@pcp-uk.com · www.pcpgratings.co.uk

# Guardrail

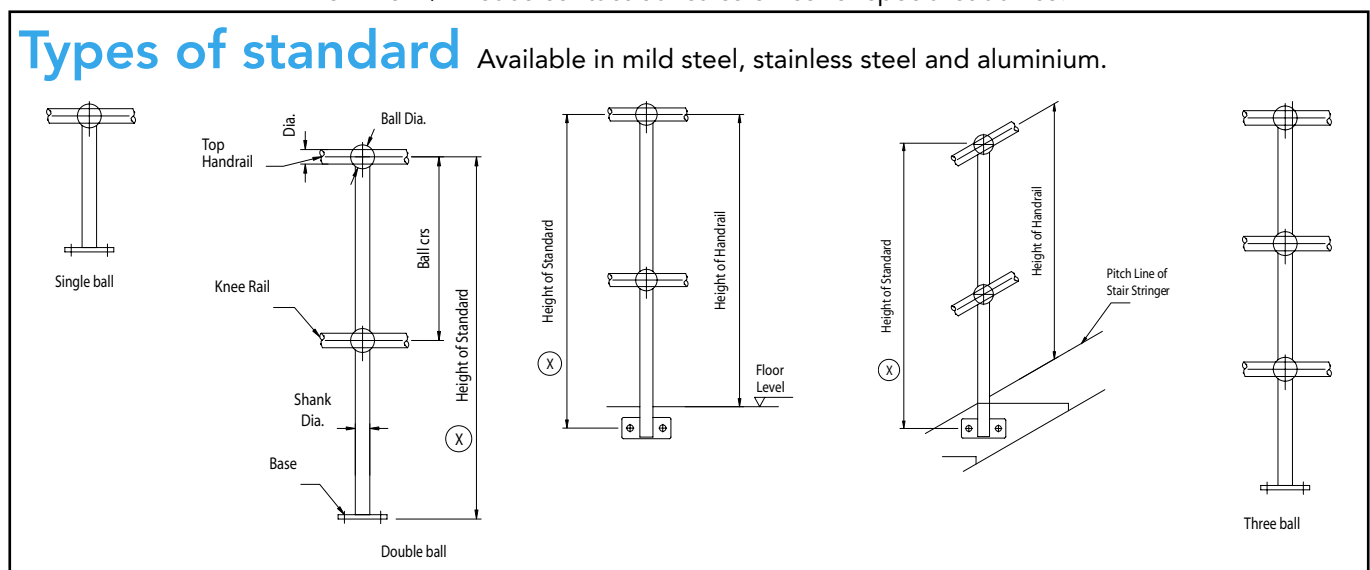
## Tubular & Solid Handrail standards

<b>Light Duty</b> Light access stairs, gangways equal to or less than 600 mm in width.	220 N/m
<b>General Duty</b> Light access stairs, gangways greater than 600 mm in width.	360 N/m
<b>Heavy Duty</b> All other stairways, landings, balconies, parapets and handrails to roofs or any handrail subject to crowd pressure.	740 N/m

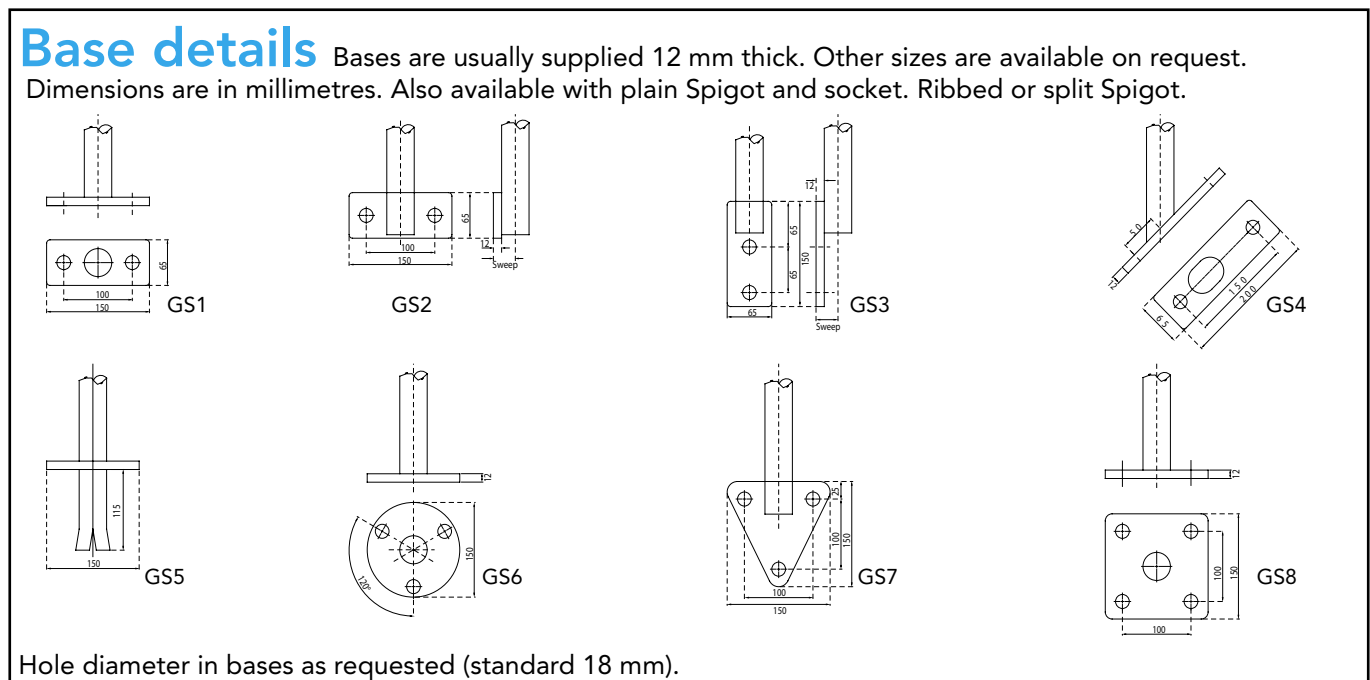
British Standard Code of Practice allows you to determine the appropriate size/spacing of handrail standard.	Maximum spacing of 1100 mm high mild steel handrail standards in mm.		
	Horizontal Design Load		
<b>Handrail Standard</b>	<b>220 N/m</b>	<b>360 N/m</b>	<b>740 N/m</b>
Tubular 33.7 O/Dia.	1439	924	-
Tubular 42.2 O/Dia.	2066	1553	-
Tubular 48.3 O/Dia.	2264	1856	1150
Solid 32 Dia.	1643	1125	-
Solid 38 Dia.	2134	1689	1050
Solid 40 Dia.	2229	1809	1201

For 740 N/m loads contact our sales office for specialist advice.

### Types of standard Available in mild steel, stainless steel and aluminium.



### Base details Bases are usually supplied 12 mm thick. Other sizes are available on request. Dimensions are in millimetres. Also available with plain Spigot and socket. Ribbed or split Spigot.



Hole diameter in bases as requested (standard 18 mm).